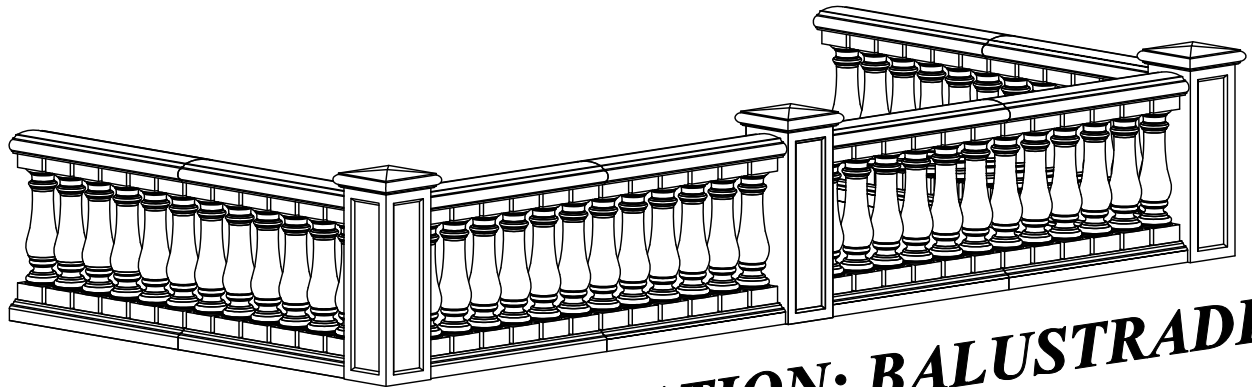


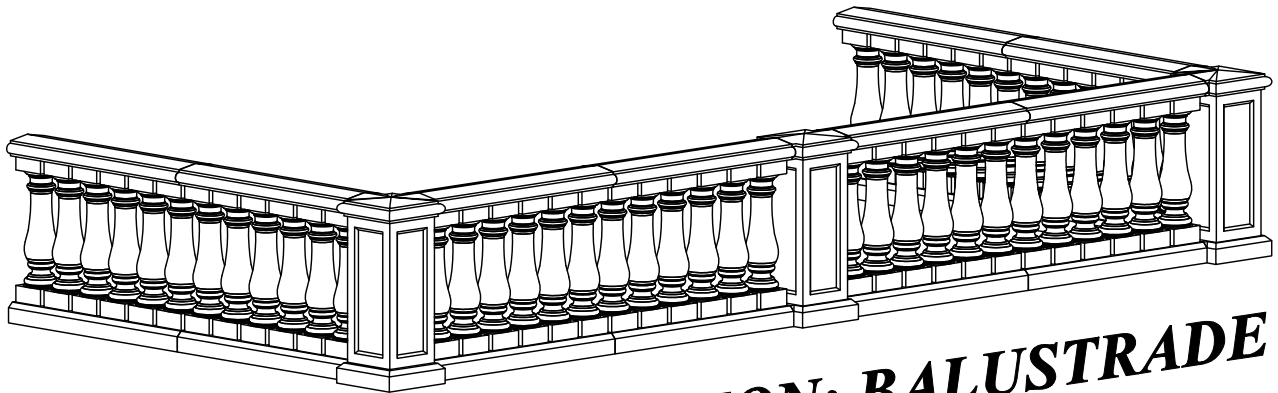
AAA CAST STONE, INC.

1470 12TH STREET EAST PALMETTO, FL 34221

941-721-8092 OFFICE • 941-721-8444 FAX • WWW.AAACASTSTONE.COM



STANDARD INSTALLATION: BALUSTRADE
BASE AND TOP RAIL TERMINATE INTO NEWEL POST



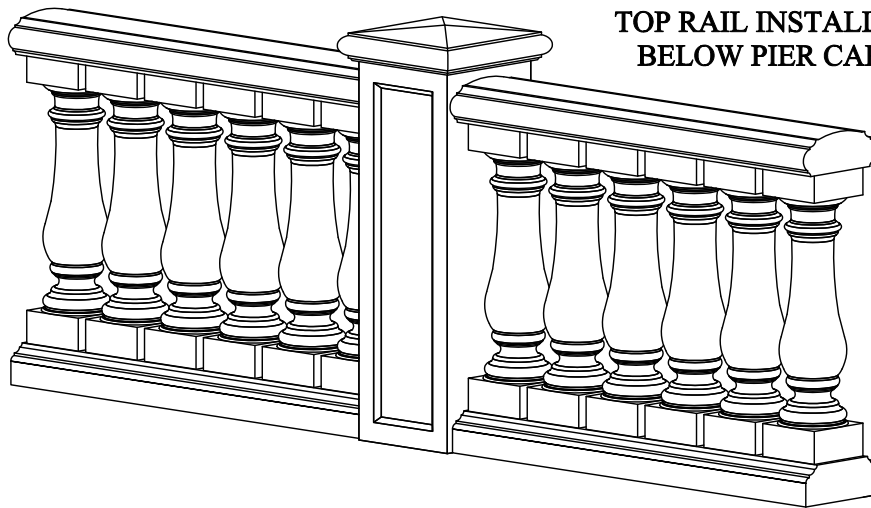
CUSTOM INSTALLATION: BALUSTRADE
BASE AND TOP RAIL TERMINATE INTO PIER CAP AND NEWEL BASE

AAA CAST STONE, INC.

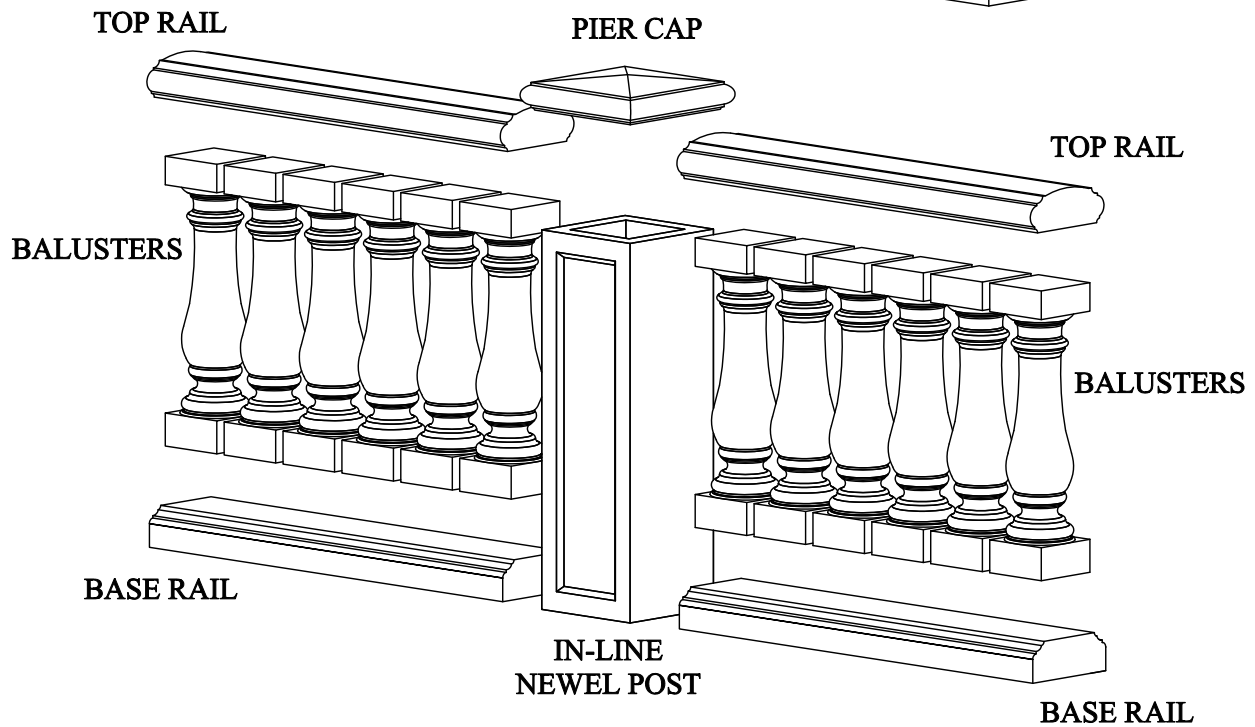
1470 12TH STREET EAST PALMETTO, FL 34221

941-721-8092 OFFICE • 941-721-8444 FAX • WWW.AACASTSTONE.COM

BASE RAIL AND TOP RAIL TERMINATE INTO NEWEL POST



TOP RAIL INSTALLED
BELOW PIER CAPS



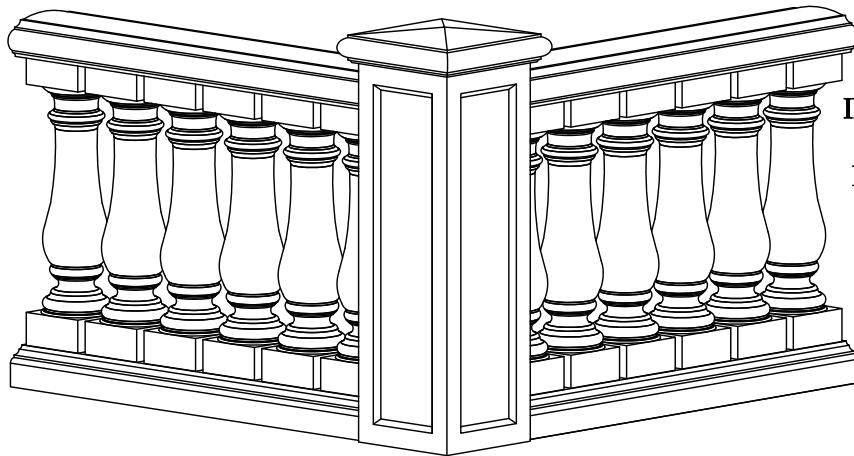
STANDARD INSTALLATION: BALUSTRADE

AAA CAST STONE, INC.

1470 12TH STREET EAST PALMETTO, FL 34221

941-721-8092 OFFICE • 941-721-8444 FAX • WWW.AAACASTSTONE.COM

BASE RAIL AND TOP RAIL TERMINATE INTO NEWEL POST

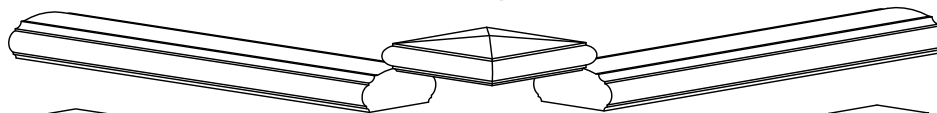


TOP RAIL
INSTALLED
BELOW
PIER CAPS

TOP RAIL

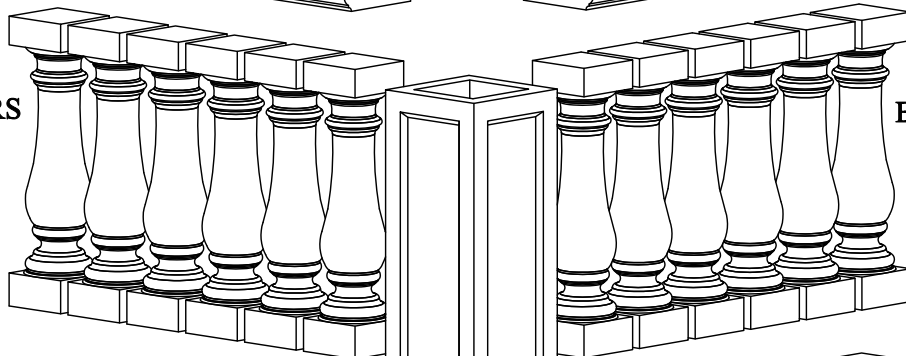
PIER CAP

TOP RAIL



BALUSTERS

BALUSTERS



BASE RAIL

BASE RAIL

CORNER
NEWEL POST

STANDARD INSTALLATION: BALUSTRADE

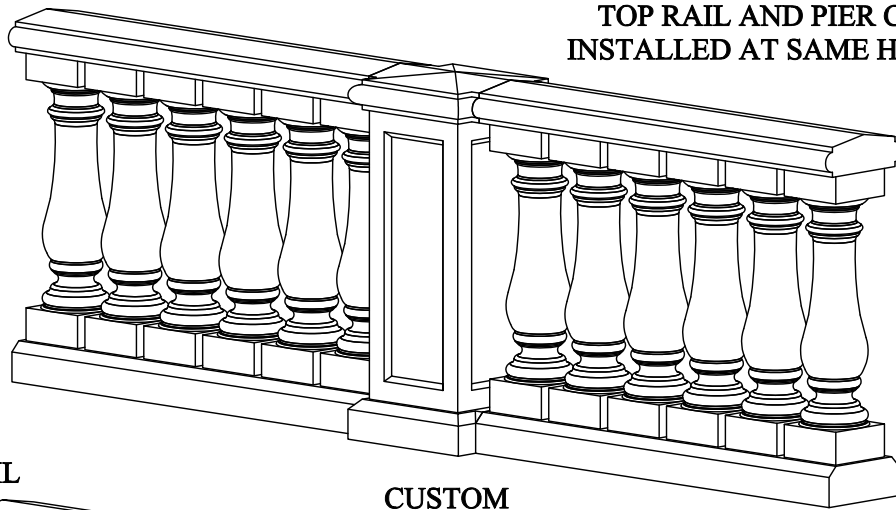
AAA CAST STONE, INC.

1470 12TH STREET EAST PALMETTO, FL 34221

941-721-8092 OFFICE • 941-721-8444 FAX • WWW.AAACASTSTONE.COM

BASE RAIL AND TOP RAIL TERMINATE INTO CUSTOM
NEWEL BASE AND CUSTOM PIER CAP

TOP RAIL AND PIER CAPS
INSTALLED AT SAME HEIGHT



TOP RAIL

CUSTOM
PIER CAP

TOP RAIL

BALUSTERS

BALUSTERS

BASE RAIL

STAND ALONE
NEWEL POST WITH
CUSTOM BASE

BASE RAIL

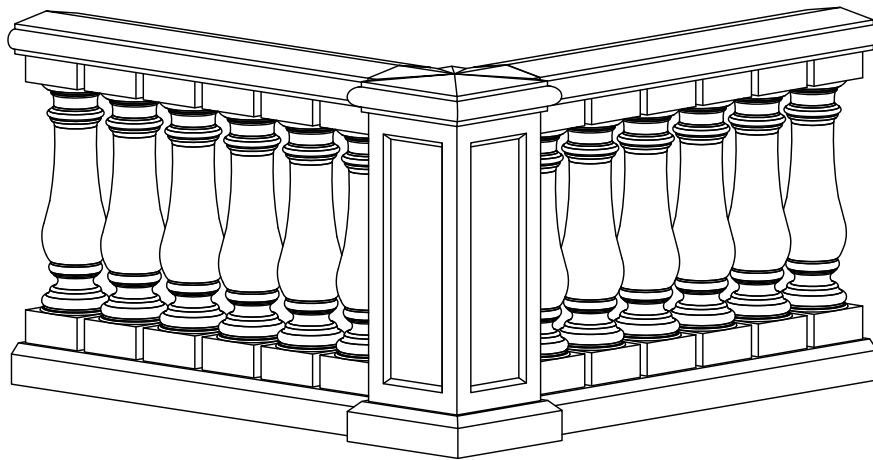
BALUSTRADE OPTIONS: STRAIGHT

AAA CAST STONE, INC.

1470 12TH STREET EAST PALMETTO, FL 34221

941-721-8092 OFFICE • 941-721-8444 FAX • WWW.AAACASTSTONE.COM

BASE RAIL AND TOP RAIL TERMINATE INTO CUSTOM
NEWEL BASE AND CUSTOM PIER CAP



TOP RAIL AND
PIER CAPS
INSTALLED AT
SAME HEIGHT

TOP RAIL

TOP RAIL

CUSTOM
PIER CAP

BALUSTERS

BALUSTERS

BASE RAIL

BASE RAIL

STAND ALONE
NEWEL POST WITH
CUSTOM BASE

BALUSTRADE OPTIONS: CORNER

AAA CAST STONE, INC.

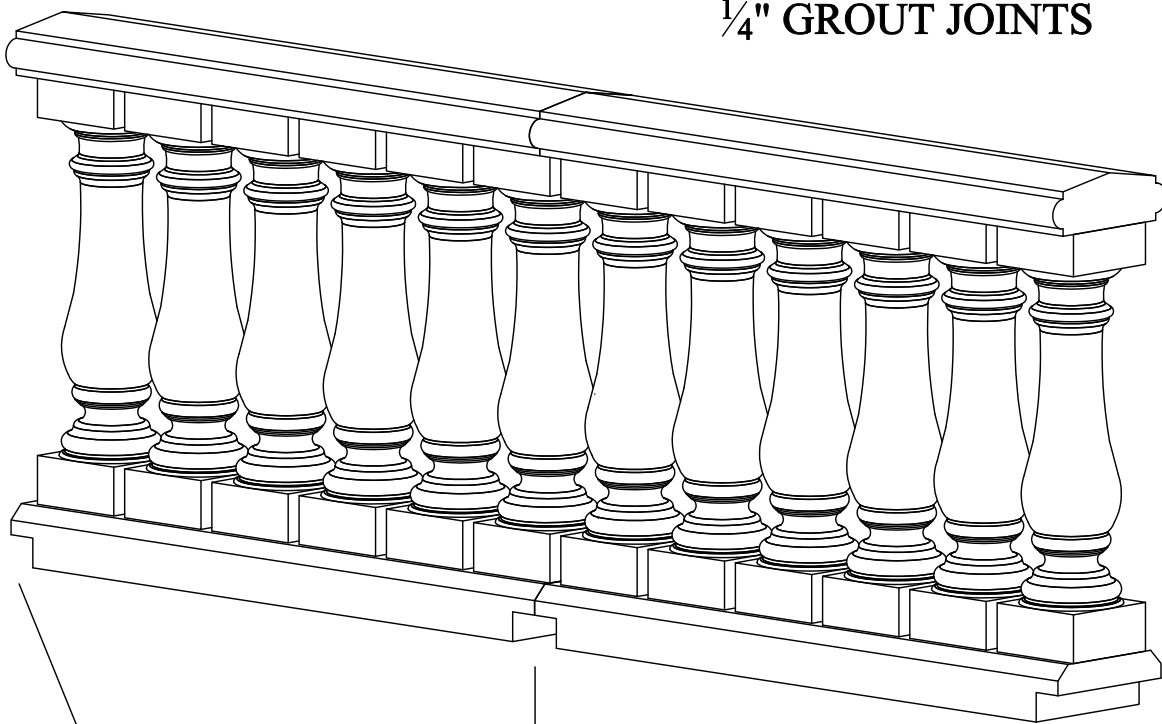
1470 12TH STREET EAST PALMETTO, FL 34221

941-721-8092 OFFICE • 941-721-8444 FAX • WWW.AACASTSTONE.COM

BALUSTRADE SET TO COMPLY WITH
MINIMUM HEIGHT CODE WHERE NECESSARY

BALUSTRADE SET TO COMPLY WITH
MAXIMUM SPACING CODE WHERE NECESSARY

$\frac{1}{4}$ " GROUT JOINTS



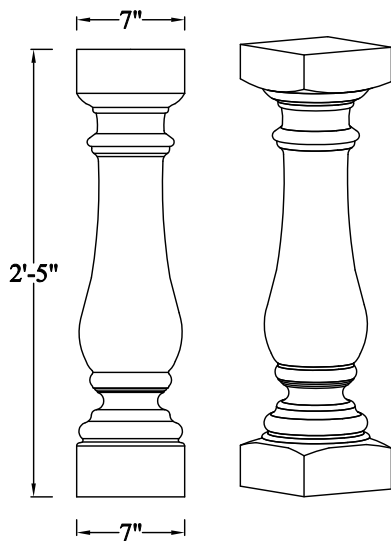
DRAINAGE SCUPPERS FIELD CUT
IN BASE RAIL WHERE NECESSARY

STANDARD INSTALLATION: BALUSTRADE

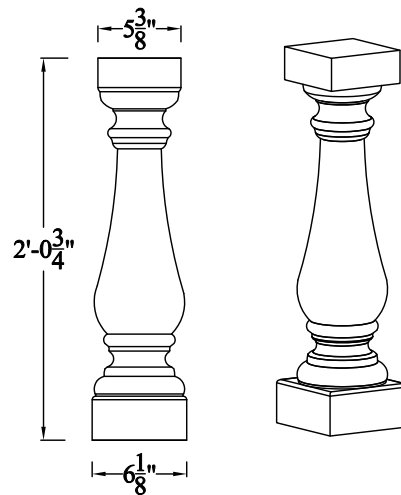
AAA CAST STONE, INC.

1470 12TH STREET EAST PALMETTO, FL 34221

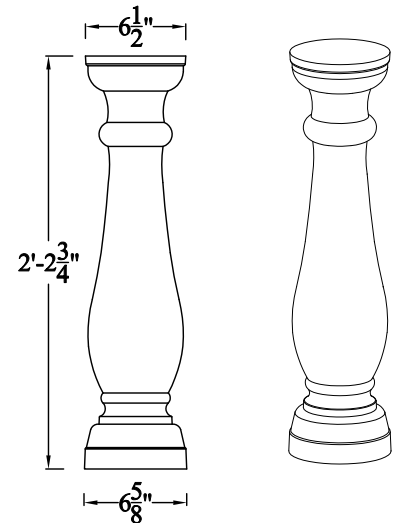
941-721-8092 OFFICE • 941-721-8444 FAX • WWW.AAACASTSTONE.COM



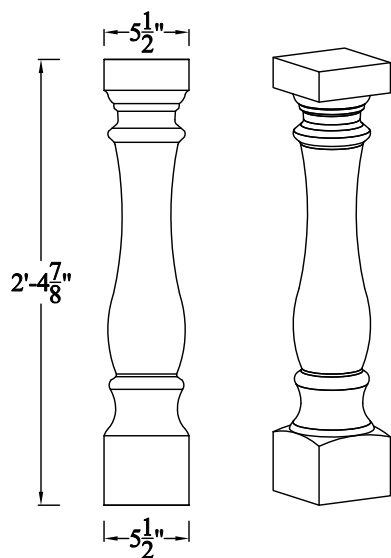
B29



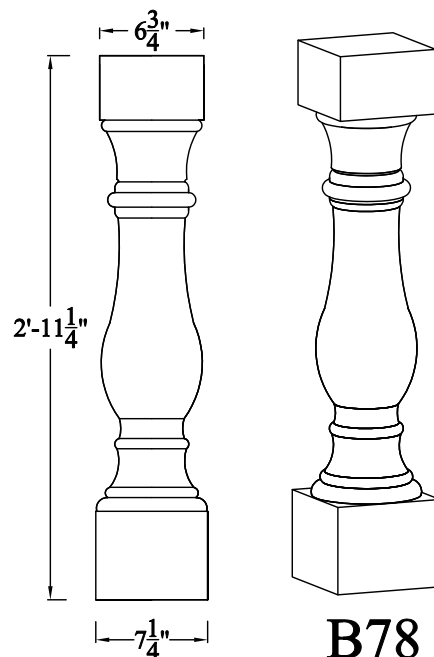
B9



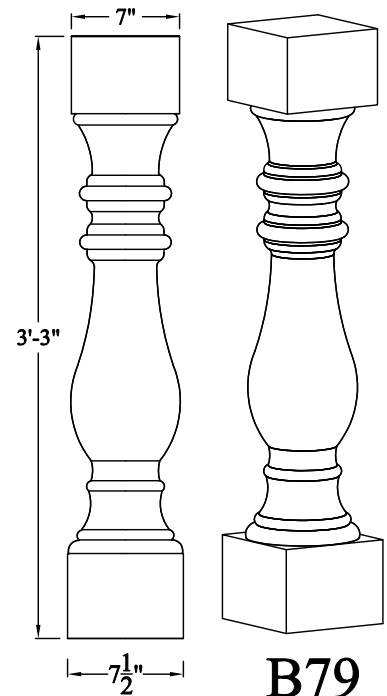
B49



B19



B78



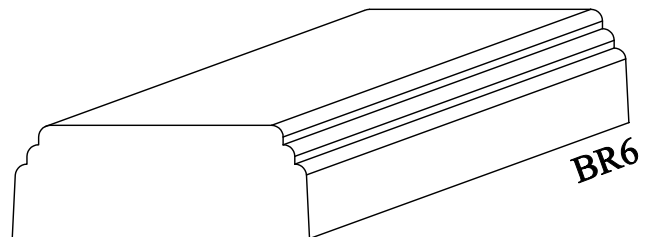
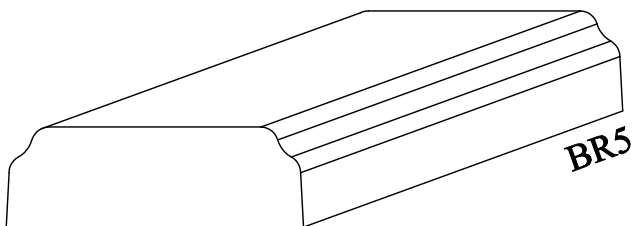
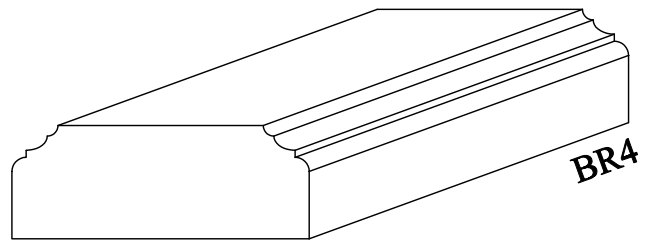
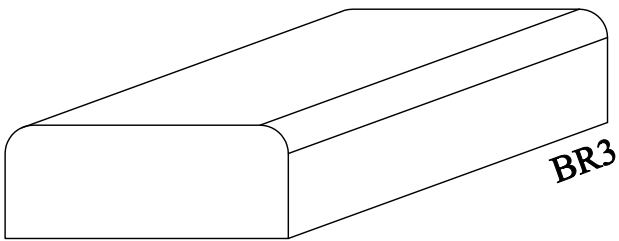
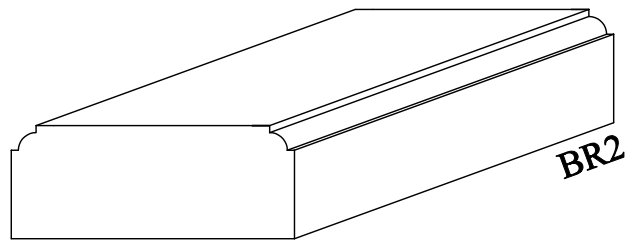
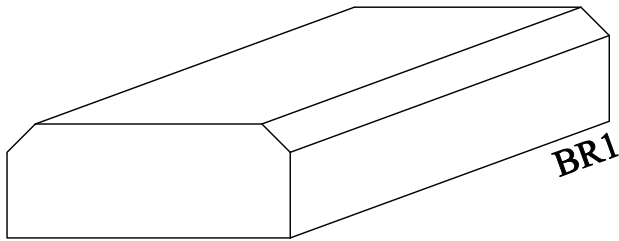
B79

CAST STONE BALUSTRADE-BALUSTERS

AAA CAST STONE, INC.

1470 12TH STREET EAST PALMETTO, FL 34221

941-721-8092 OFFICE • 941-721-8444 FAX • WWW.AAACASTSTONE.COM

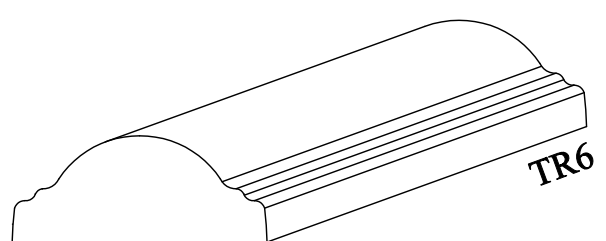
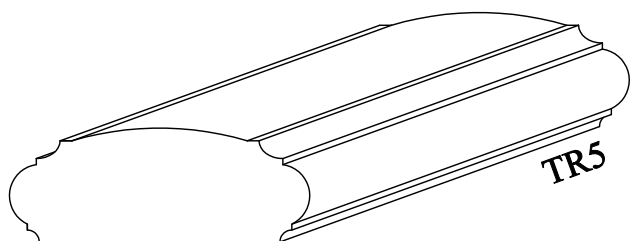
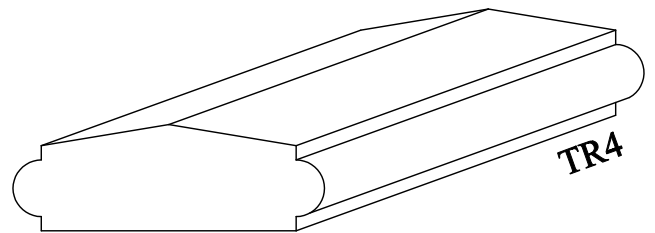
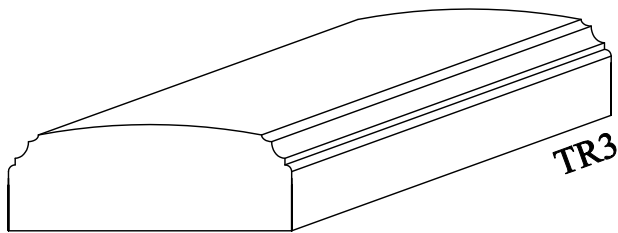
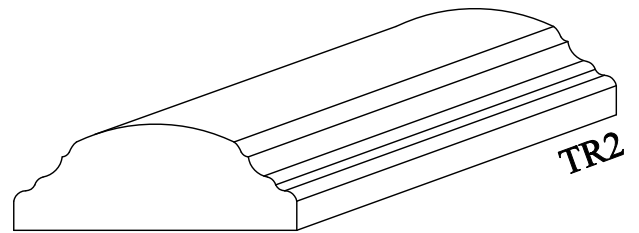
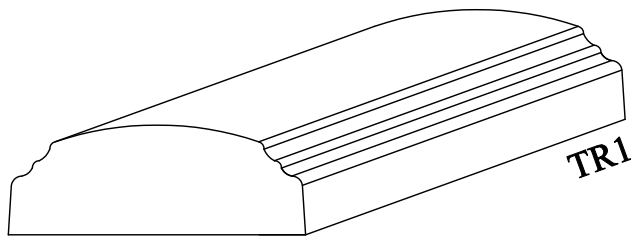


CAST STONE BALUSTRADE-BASE RAIL

AAA CAST STONE, INC.

1470 12TH STREET EAST PALMETTO, FL 34221

941-721-8092 OFFICE • 941-721-8444 FAX • WWW.AAACASTSTONE.COM



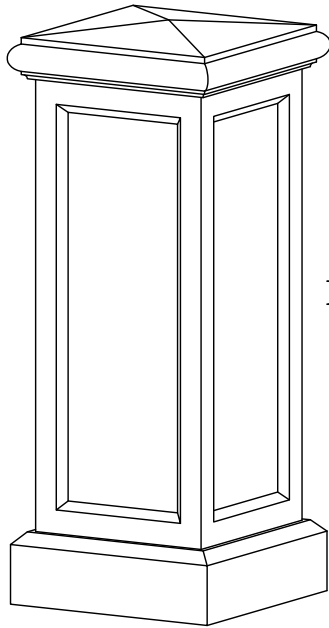
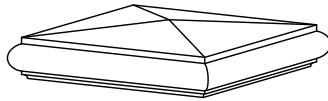
CAST STONE BALUSTRADE-TOP RAIL

AAA CAST STONE, INC.

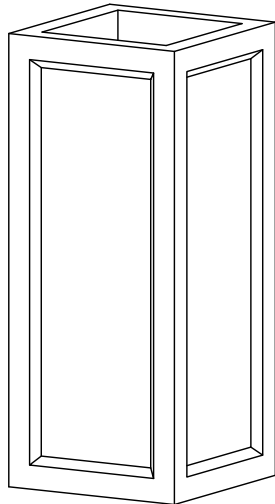
1470 12TH STREET EAST PALMETTO, FL 34221

941-721-8092 OFFICE • 941-721-8444 FAX • WWW.AAACASTSTONE.COM

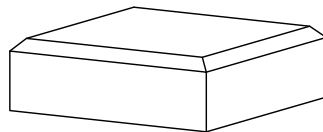
PIER CAP



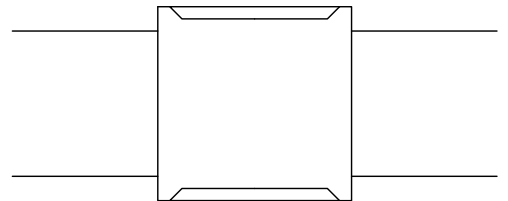
PIER



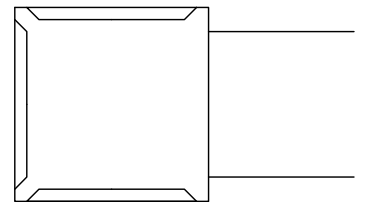
OPTIONAL
NEWEL BASE



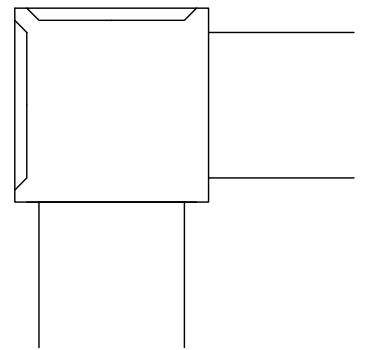
IN-LINE POST



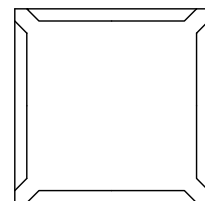
TERMINAL POST



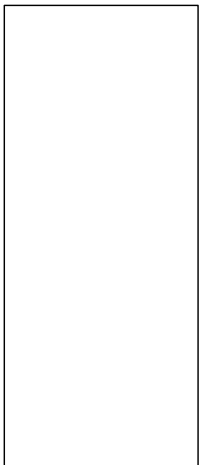
CORNER POST



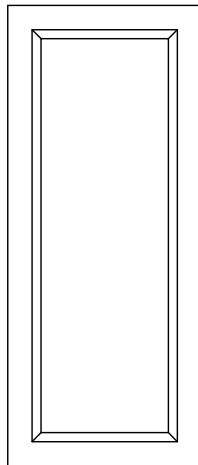
STAND-ALONE POST



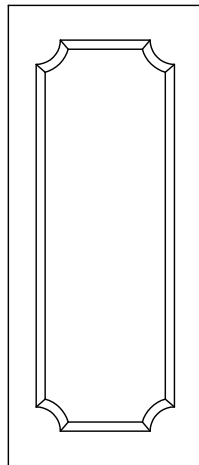
PANEL DESIGN OPTIONS:



PLAIN



RECESSED A



RECESSED B

CAST STONE BALUSTRADE-NEWEL POSTS